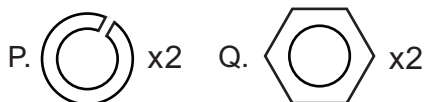
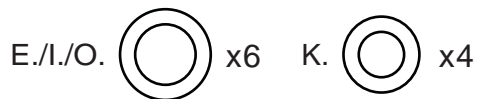
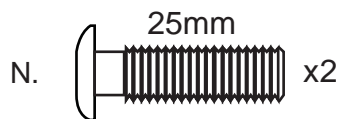
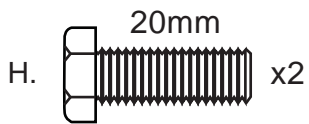
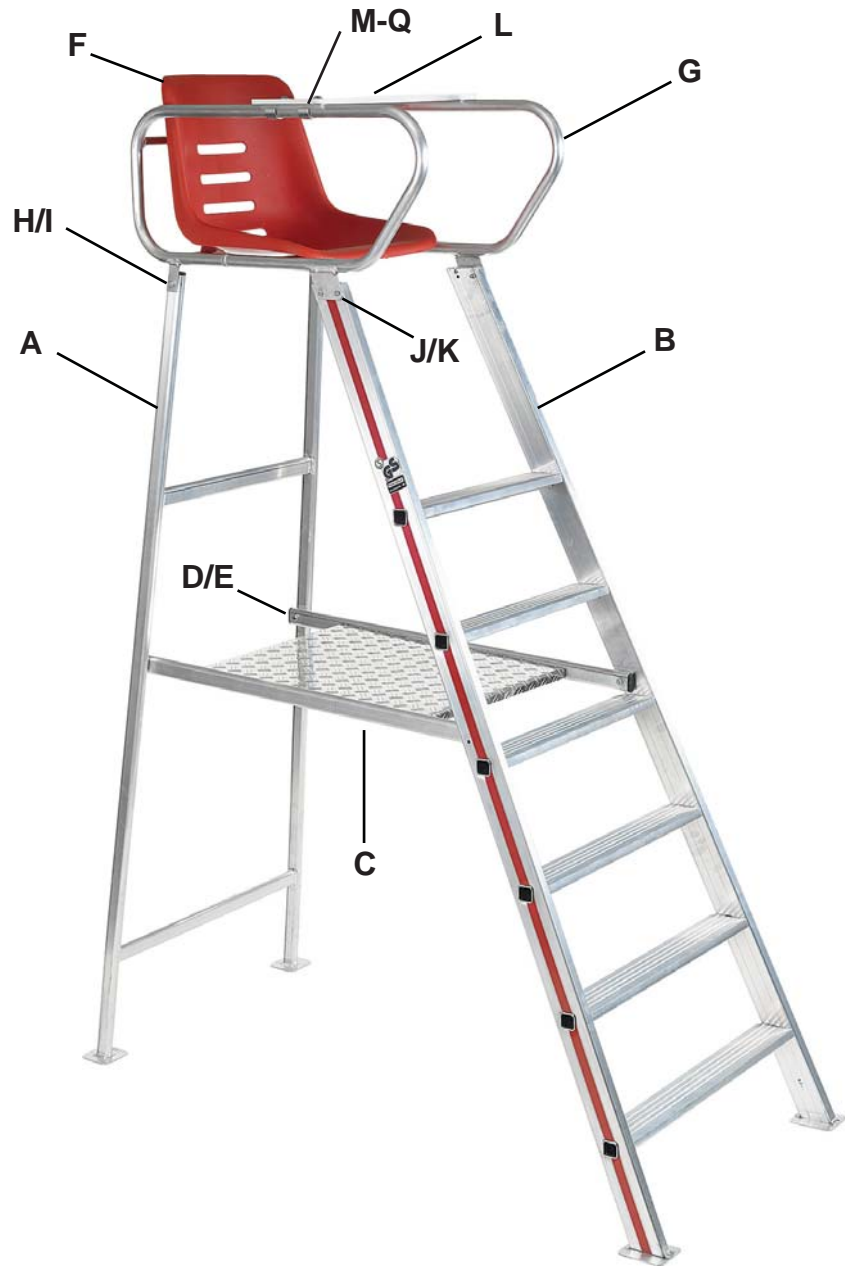
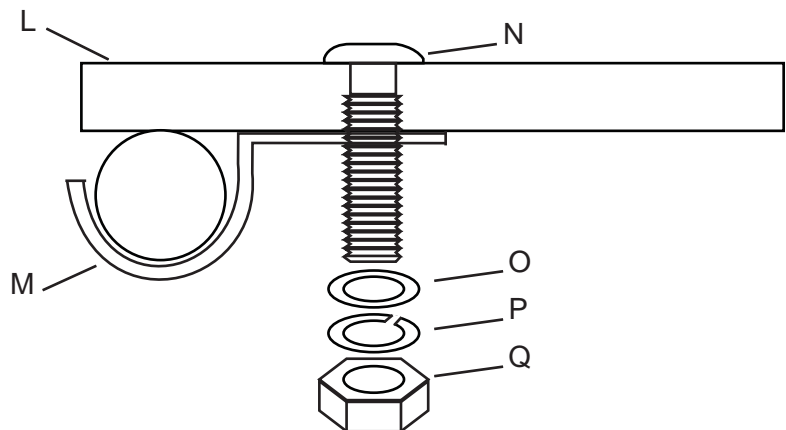


PACKAGE CONTENTS

ITEM	QTY	PART NAME
A	1	Rear Legs
B	1	Front Legs/Stairs
C	1	Middle Shelf (MS)
D	4	MS Bolts (35mm)
E	4	MS Washers
F	1	Seat
G	1	Seat Frame (SF)
H	2	SF Rear Bolts (20mm)
I	2	SF Rear Washers
J	4	SF Front Bolts (40mm)
K	4	SF Front Washers
L	1	Writing Desk (WD)
M	2	WD Clamp
N	2	WD Flathead Bolt (25mm)
O	2	WD Washer
P	2	WD Split Washer
Q	2	WD Hex Nut



WRITING DESK ASSEMBLY:



LIMITED ONE-YEAR WARRANTY

GAMMA SPORTS ("GAMMA") warrants to the original purchaser that the Aluminum Umpire Chair ("EQUIPMENT") purchased is free from defects in materials and workmanship for a period of ONE (1) year from the date of original purchase. Should any defects develop under normal use within the specified time period, GAMMA will, at its option, repair or replace the defective EQUIPMENT provided it is returned to GAMMA prepaid at the purchaser's expense. This warranty does not apply to any damage or defect caused by negligence, abuse, misuse, unauthorized alteration, shipping, handling, or wear and tear as a result of normal use.

GAMMA's obligation under this warranty is limited to replacement or repair of the defective EQUIPMENT, and no one is authorized to promise any other liability. GAMMA shall, in no event be liable for any incidental or consequential damages. This warranty gives you specific legal rights and you may also have other rights which vary from state-to-state.

To return defective EQUIPMENT, a return authorization (RA#) must be obtained from a GAMMA customer service representative by calling 1-800-333-0337. The RA# must be clearly marked on the outside of the shipping carton being returned. All returns must be shipped prepaid by the customer to GAMMA. Please retain the original shipping carton and packing materials for any future shipments. GAMMA will not be responsible for EQUIPMENT which is not returned in the original undamaged packaging.